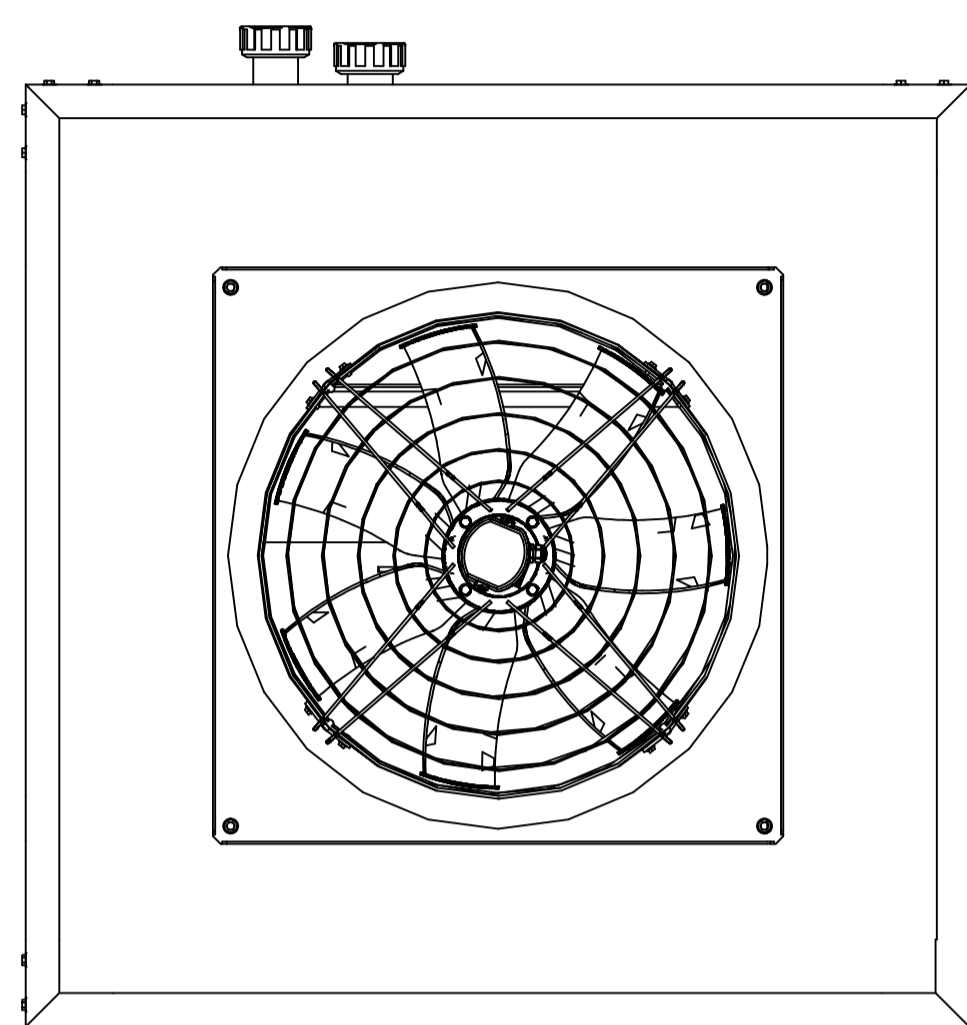


# TOP VIEW



### CLEARANCE :

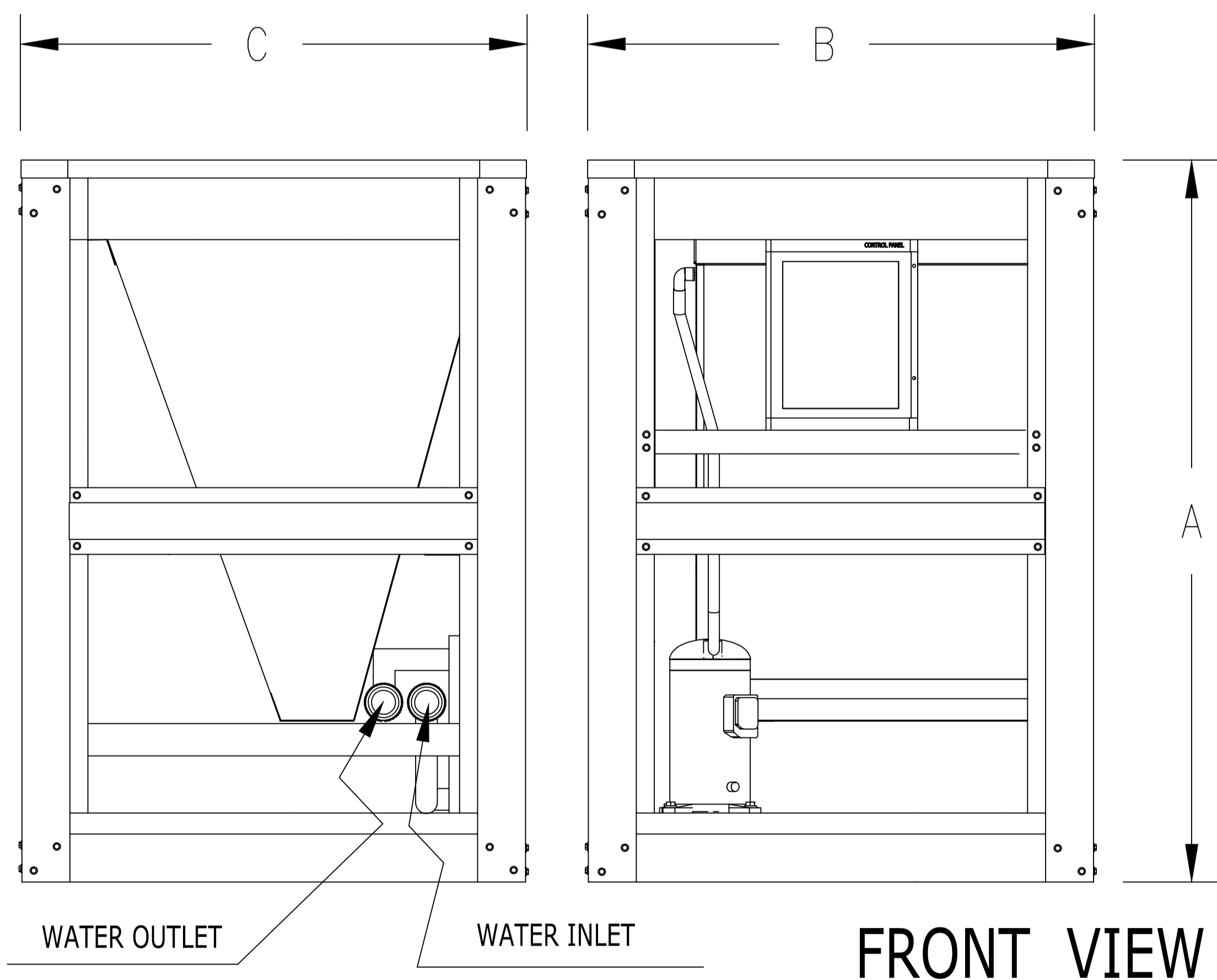
1. PLACEMENT ON A LEVEL SURFACE FREE OF OBSTRUCTIONS (INCLUDING SNOW, FOR WINTER OPERATION) OR AIR RECIRCULATION ENSURES RATED PERFORMANCE, RELIABLE OPERATION AND EASE OF MAINTENANCE. SITE RESTRICTIONS MAY COMPROMISE MINIMUM CLEARANCES INDICATED BELOW, RESULTING IN UNPREDICTABLE AIR FLOW PATTERNS AND POSSIBLE DIMINISHED PERFORMANCE. ECO CHILLERS WILL OPTIMIZE OPERATION WITHOUT NUISANCE HIGH PRESSURE SAFETY CUTOUT; HOWEVER, THE SYSTEM DESIGNER MUST CONSIDER POTENTIAL PERFORMANCE DEGRADATION. ACCESS TO THE UNIT CONTROL CENTER ASSUMES THE UNIT IS NO HIGHER THAN ON SPRING ISOLATORS. RECOMMENDED MINIMUM CLEARANCES: SIDE TO WALL - 4' ; REAR TO WALL - 4' ; CONTROL PANEL END TO WALL - 4' ; TOP 120' - NO OBSTRUCTIONS ALLOWED; DISTANCE BETWEEN ADJACENT UNITS - 4' . NO MORE THAN ONE ADJACENT WALL MAY BE HIGHER THAN THE UNIT.

### IMPORTANT :

THIS DRAWING IS ILLUSTRATIVE ONLY, CERTAIN DIMENSIONS AND DESIGN CAN CHANGE WITHOUT NOTICE, FOR MORE INFORMATION CONTACT YOUR SALES REPRESENTATIVE.

WATER OUTLET / WATER INLET	
MODEL	DIAMETER
ECCLA0003	1 "Ø
ECCLA0005	1 "Ø
ECCLA0008	1 1/4 "Ø

PHYSICAL DATA						
MODEL	TON	A IN / MM	B IN / MM	C IN / MM	AVAILABLE POWER SUPPLY	WEIGHT (Lb)
ECCLA0003	3	60" / 1530	43" / 1100	43" / 1100	208/230-3-60 380-3-50 460-3-60 575-3-60	292
ECCLA0005	5	60" / 1530	43" / 1100	43" / 1100		363
ECCLA0008	7.5	60" / 1530	43" / 1100	43" / 1100		498



# LATERAL VIEW

# FRONT VIEW



PRODUCT DRAWING  
 AIR COOLED SCROLL CHILLER UNIT  
 MODELS : ECCLA0003 to ECCLA0008  
 NOT FOR CONTRUCTION

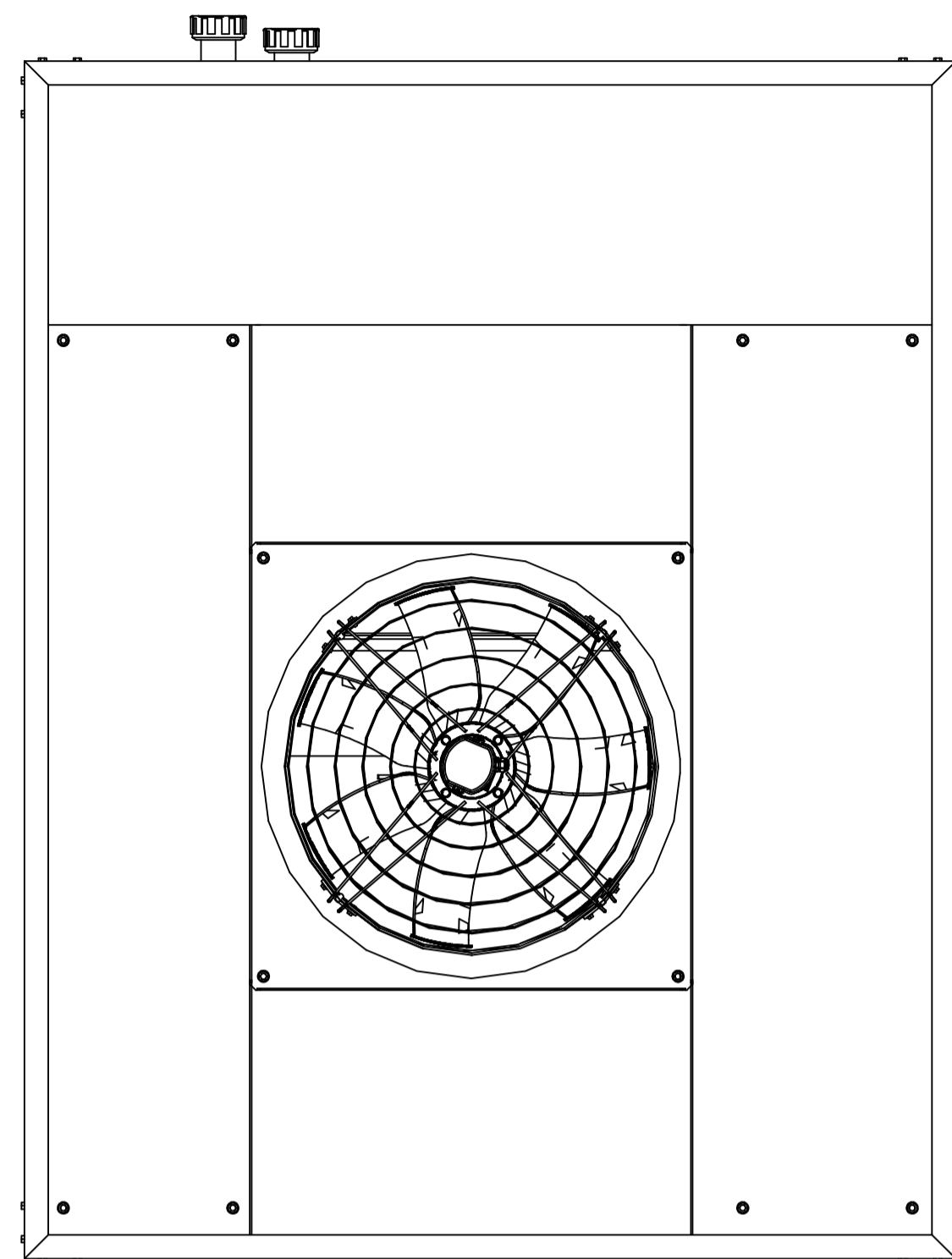
Project name:  
 Location:  
 Engineer:  
 Contactor:

Sold to:  
 Cust Purch Order:  
 Contract:

Date: JANUARY 2016  
 Rev.: 3.0  
 Form.:  
 Dwg.: P.M.G



# TOP VIEW

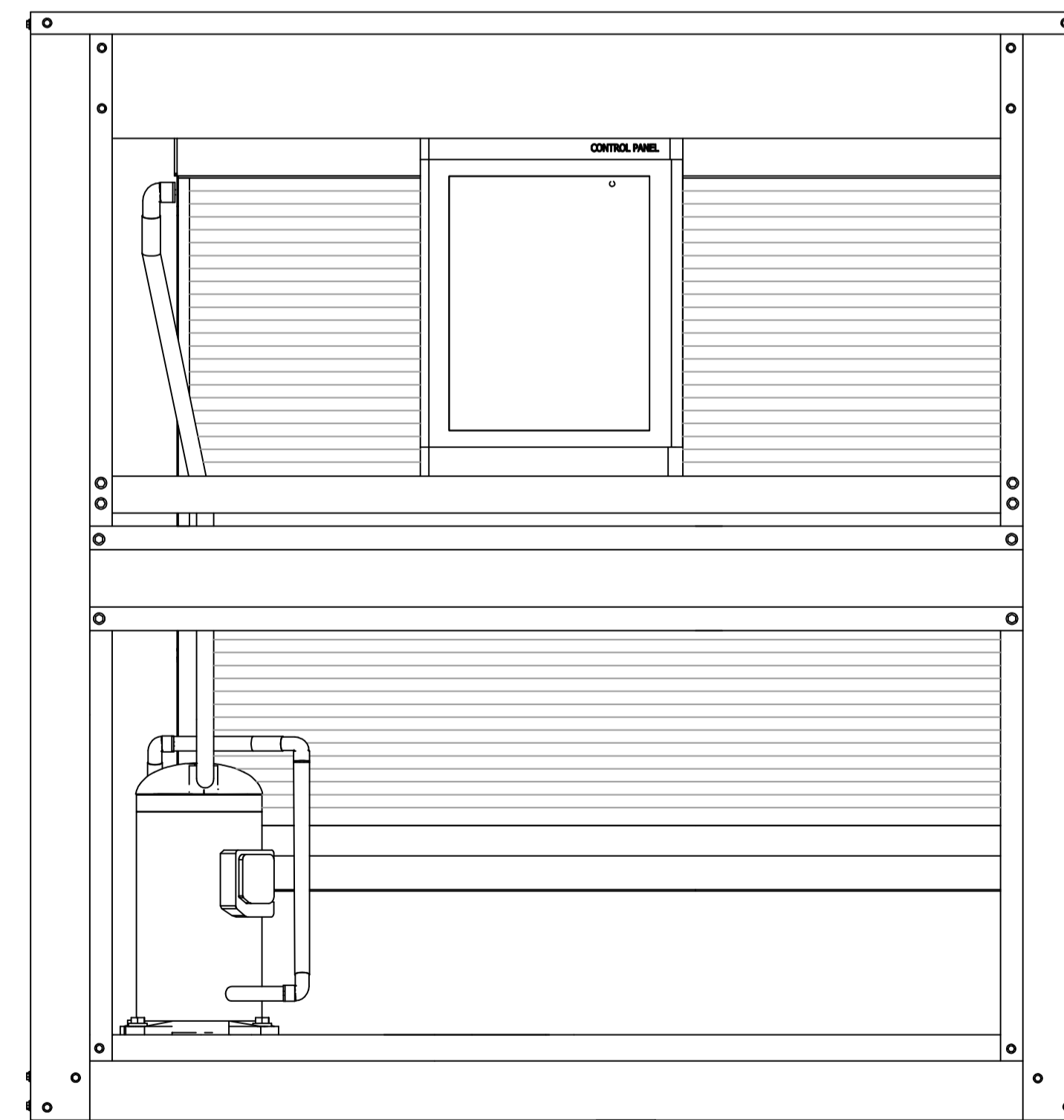
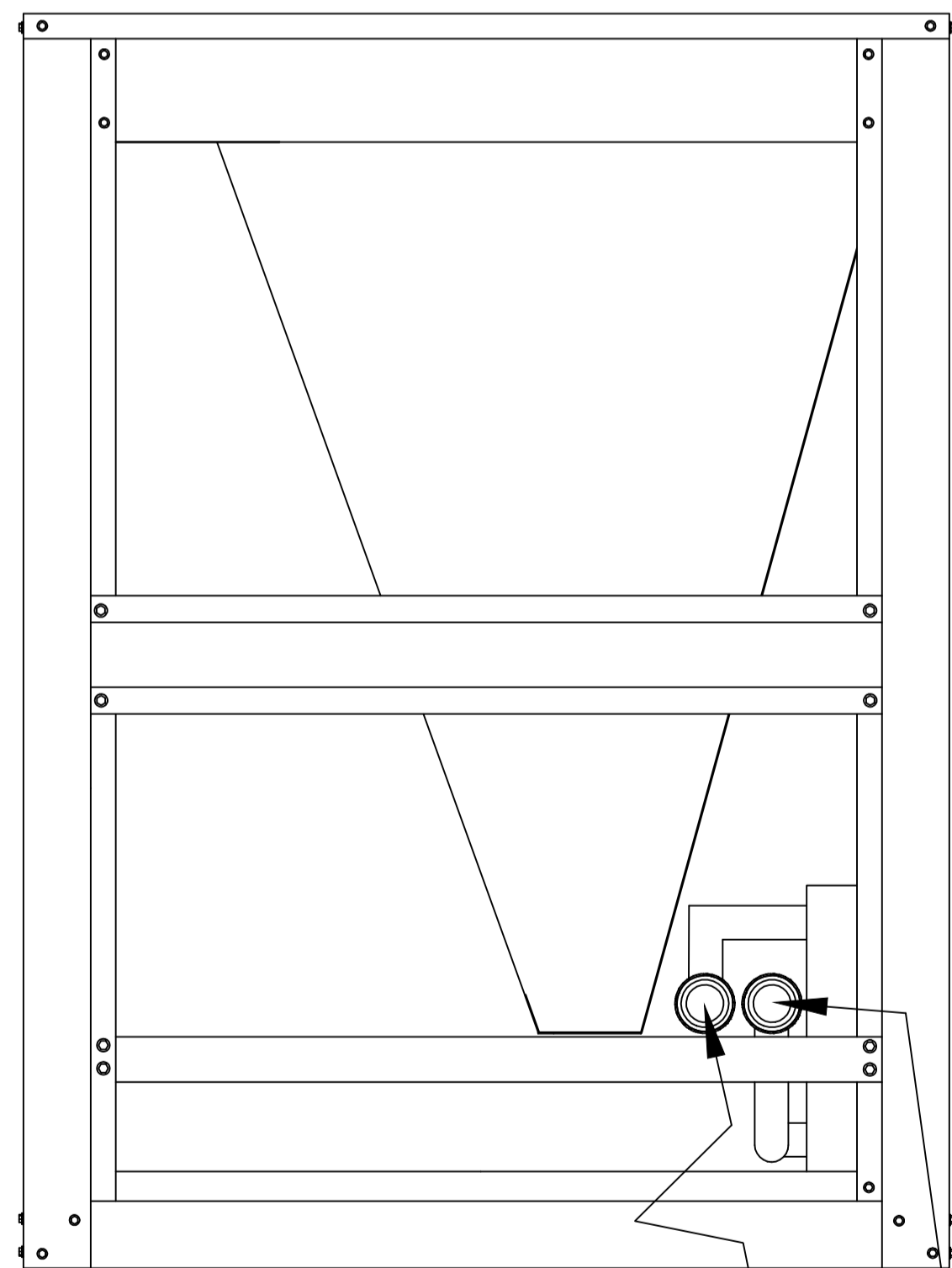
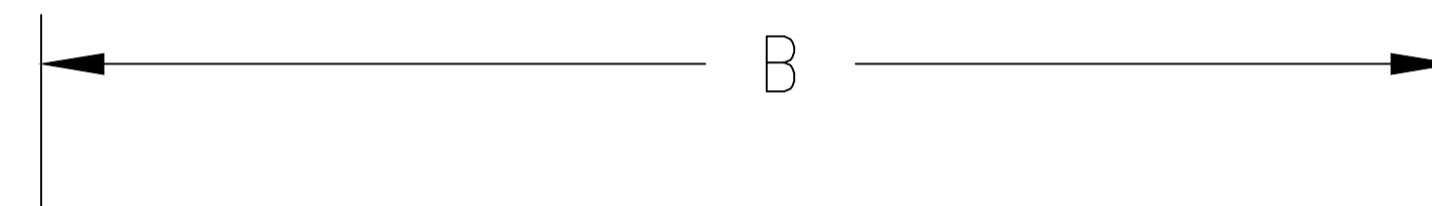
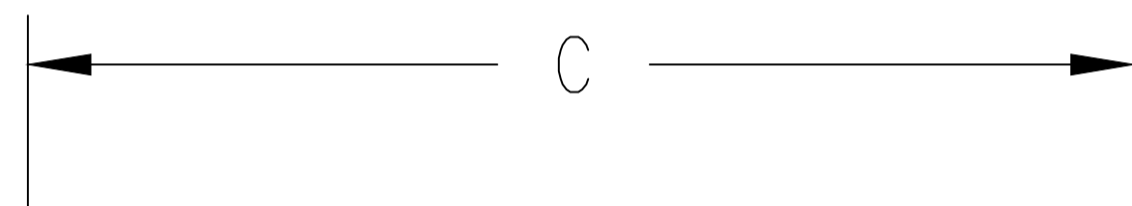


**IMPORTANT :**  
THIS DRAWING IS ILLUSTRATIVE ONLY, CERTAIN DIMENSIONS AND DESIGN CAN CHANGE WITHOUT NOTICE, FOR MORE INFORMATION CONTACT YOUR SALES REPRESENTATIVE.

WATER OUTLET / WATER INLET	
MODEL	DIAMETER
ECCLA0010	1 1/4" Ø
ECCLA0013	1 1/4" Ø

PHYSICAL DATA						
MODEL	TON	A IN / MM	B IN / MM	C IN / MM	AVAILABLE POWER SUPPLY	WEIGHT (Lb)
ECCLA0010	10	75" / 1900	55" / 1400	43" / 1080	208/230-3-60 380-3-50 460-3-60 575-3-60	498
ECCLA0013	12.5	75" / 1900	55" / 1400	43" / 1080		540

**CLEARANCE :**  
1. PLACEMENT ON A LEVEL SURFACE FREE OF OBSTRUCTIONS (INCLUDING SNOW, FOR WINTER OPERATION) OR AIR RECIRCULATION ENSURES RATED PERFORMANCE, RELIABLE OPERATION AND EASE OF MAINTENANCE. SITE RESTRICTIONS MAY COMPROMISE MINIMUM CLEARANCES INDICATED BELOW, RESULTING IN UNPREDICTABLE AIR FLOW PATTERNS AND POSSIBLE DIMINISHED PERFORMANCE. ECO CHILLERS WILL OPTIMIZE OPERATION WITHOUT NUISANCE HIGH PRESSURE SAFETY CUTOUT; HOWEVER, THE SYSTEM DESIGNER MUST CONSIDER POTENTIAL PERFORMANCE DEGRADATION. ACCESS TO THE UNIT CONTROL CENTER ASSUMES THE UNIT IS NO HIGHER THAN ON SPRING ISOLATORS. RECOMMENDED MINIMUM CLEARANCES: SIDE TO WALL - 4' ; REAR TO WALL - 4' ; CONTROL PANEL END TO WALL - 4' ; TOP 120' - NO OBSTRUCTIONS ALLOWED; DISTANCE BETWEEN ADJACENT UNITS - 4' . NO MORE THAN ONE ADJACENT WALL MAY BE HIGHER THAN THE UNIT.



LATERAL VIEW

WATER OUTLET  
WATER INLET

FRONT VIEW

PRODUCT DRAWING  
AIR COOLED SCROLL CHILLER UNIT  
MODELS : ECCLA0010 to ECCLA0013  
NOT FOR CONTRUCTION

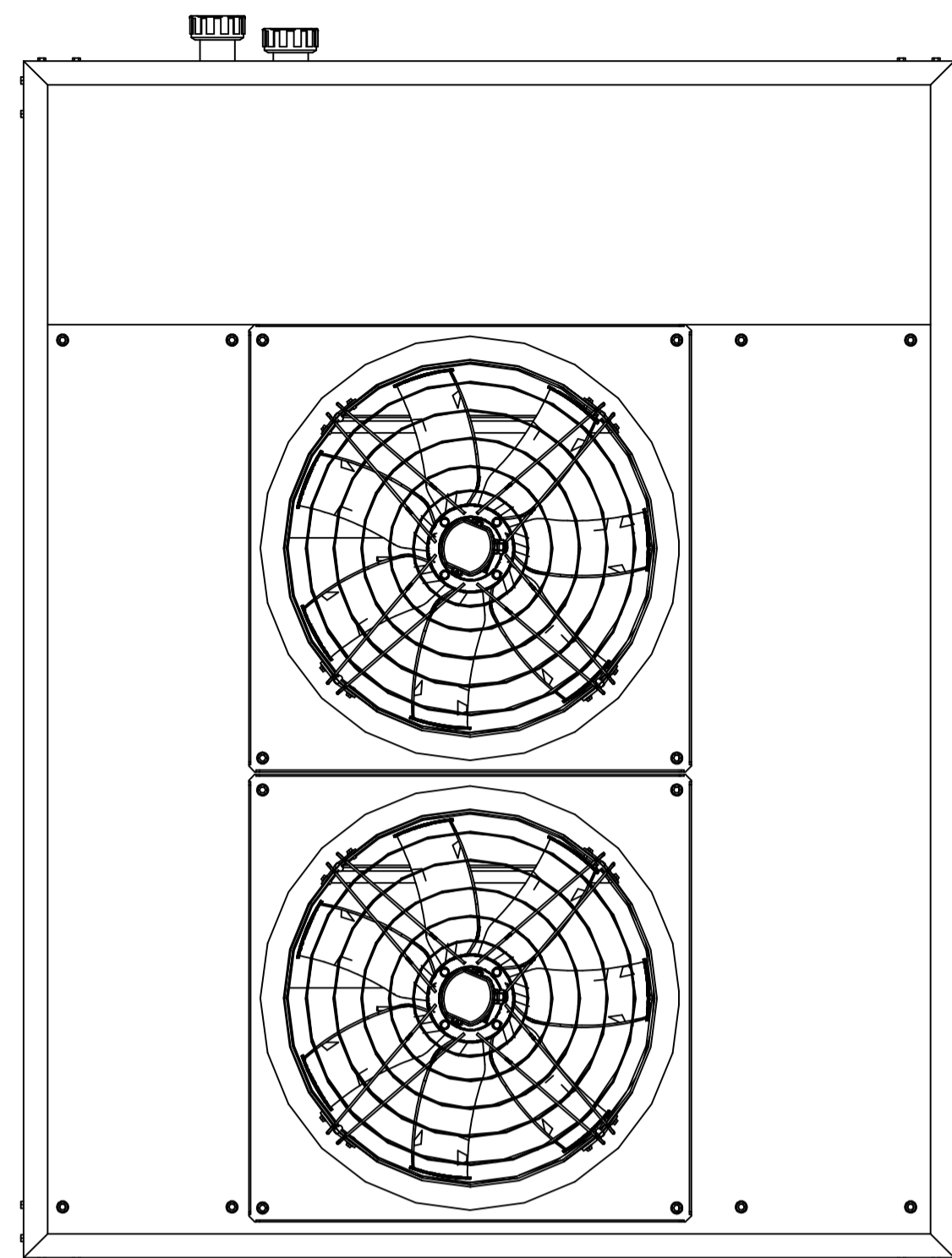
Project name:  
Location:  
Engineer:  
Contactor:

Sold to:  
Cust Purch Order:  
Contract:

Date: JANUARY 2016  
Rev.: 3.0  
Form.:  
Dwg.: P.M.G



# TOP VIEW

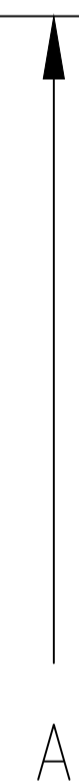
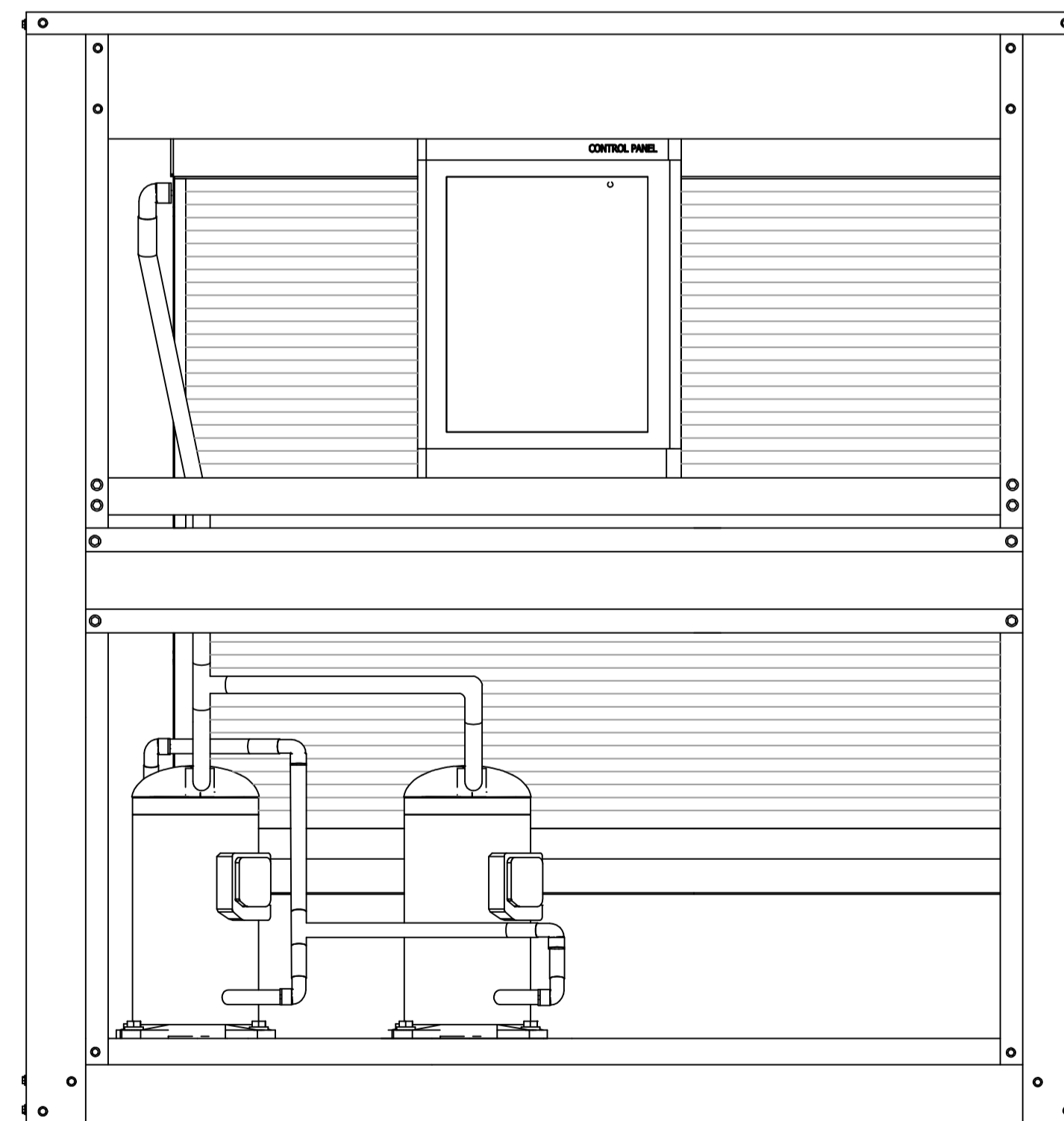
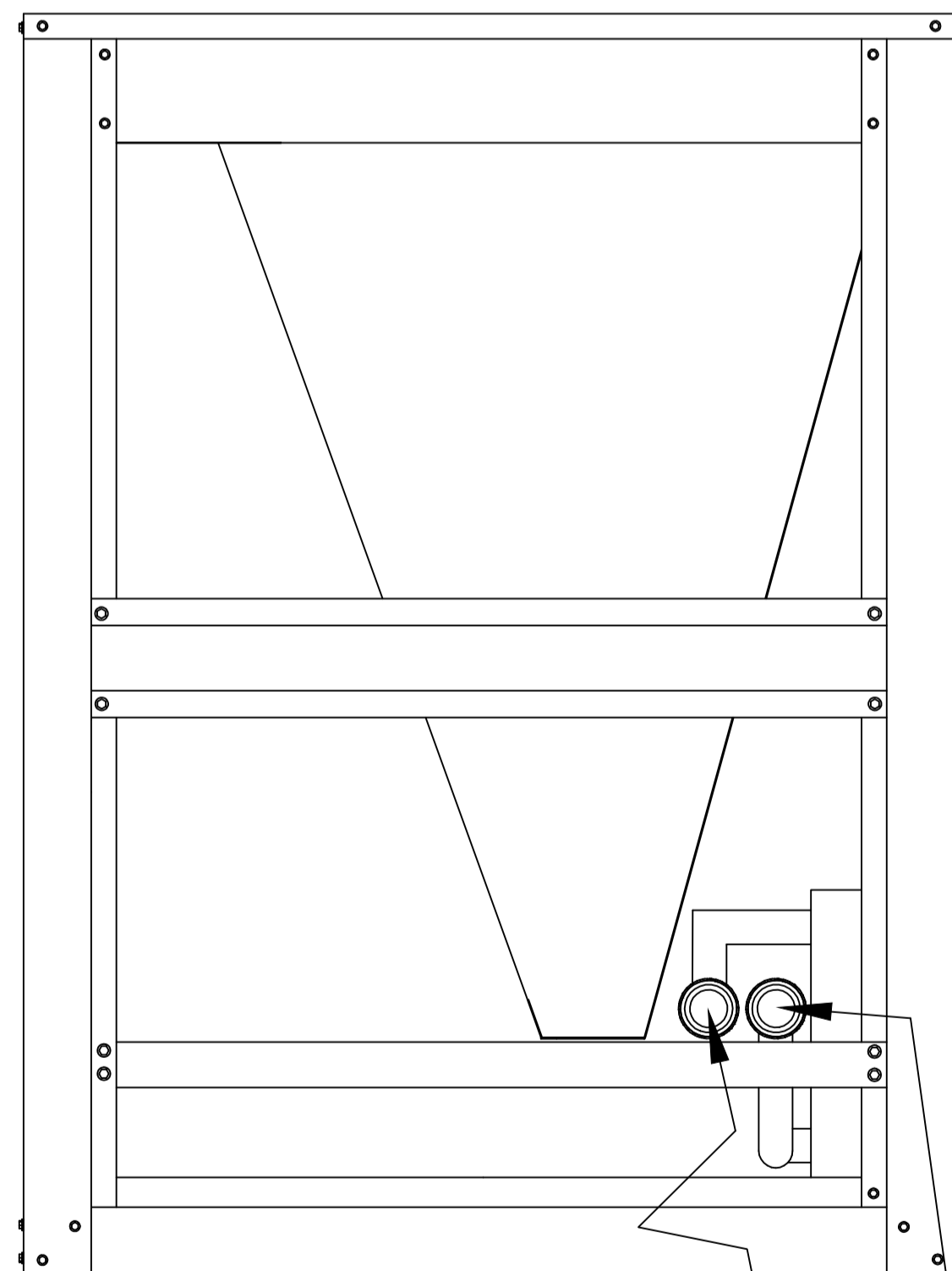
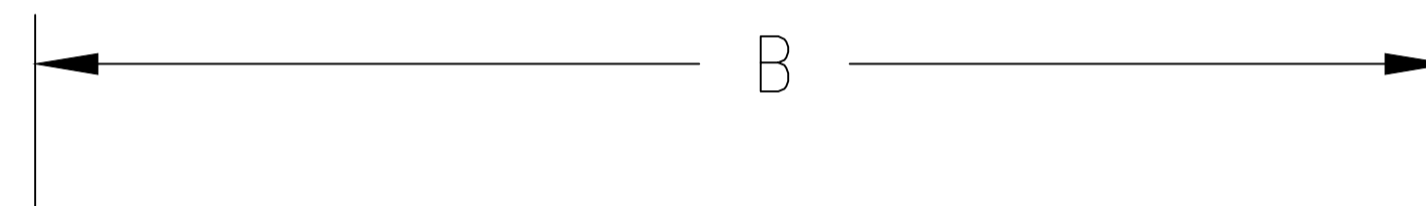
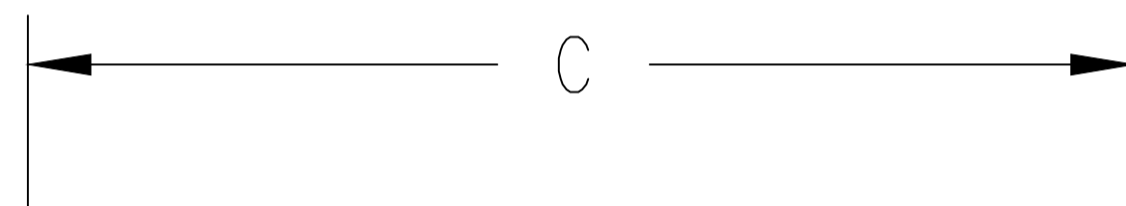


**IMPORTANT :**  
THIS DRAWING IS ILLUSTRATIVE ONLY, CERTAIN DIMENSIONS AND DESIGN CAN CHANGE WITHOUT NOTICE, FOR MORE INFORMATION CONTACT YOUR SALES REPRESENTATIVE.

WATER OUTLET / WATER INLET	
MODEL	DIAMETER
ECCLA0015	2"Ø
ECCLA0020	2"Ø
ECCLA0025	2 1/2"Ø

PHYSICAL DATA						
MODEL	TON	A IN / MM	B IN / MM	C IN / MM	AVAILABLE POWER SUPPLY	WEIGHT (Lb)
ECCLA0015	15	75" / 1900	55" / 1400	43" / 1080	208/230-3-60 380-3-50 460-3-60 575-3-60	561
ECCLA0020	20	75" / 1900	55" / 1400	43" / 1080		1751
ECCLA0025	25	75" / 1900	55" / 1400	43" / 1080		1793

**CLEARANCE :**  
1. PLACEMENT ON A LEVEL SURFACE FREE OF OBSTRUCTIONS (INCLUDING SNOW, FOR WINTER OPERATION) OR AIR RECIRCULATION ENSURES RATED PERFORMANCE, RELIABLE OPERATION AND EASE OF MAINTENANCE. SITE RESTRICTIONS MAY COMPROMISE MINIMUM CLEARANCES INDICATED BELOW, RESULTING IN UNPREDICTABLE AIR FLOW PATTERNS AND POSSIBLE DIMINISHED PERFORMANCE. ECO CHILLERS WILL OPTIMIZE OPERATION WITHOUT NUISANCE HIGH PRESSURE SAFETY CUTOFF; HOWEVER, THE SYSTEM DESIGNER MUST CONSIDER POTENTIAL PERFORMANCE DEGRADATION. ACCESS TO THE UNIT CONTROL CENTER ASSUMES THE UNIT IS NO HIGHER THAN ON SPRING ISOLATORS. RECOMMENDED MINIMUM CLEARANCES: SIDE TO WALL - 4' ; REAR TO WALL - 4' ; CONTROL PANEL END TO WALL - 4' ; TOP 120' - NO OBSTRUCTIONS ALLOWED; DISTANCE BETWEEN ADJACENT UNITS - 4' . NO MORE THAN ONE ADJACENT WALL MAY BE HIGHER THAN THE UNIT.



LATERAL VIEW

WATER INLET  
WATER OUTLET

FRONT VIEW



PRODUCT DRAWING  
AIR COOLED SCROLL CHILLER UNIT  
MODELS : ECCLA0015 to ECCLA0025  
NOT FOR CONTRUCTION

Project name:  
Location:  
Engineer:  
Contactor:

Sold to:  
Cust Purch Order:  
Contract:

Date: JANUARY 2016  
Rev.: 3.0  
Form.:  
Dwg.: P.M.G

