

Air Cooled Semi-Hermetic Chiller

Ecogreen[™]
Ultra Compact Series



Superior Full-And Part-Load Performance

- 21.4 to 34.4 Ton
- HFC Refrigerant R-410-A
- Carlyle Semi-Hermetic Serviceable Compressor
- High Efficient Valve Design – Designed For Newer r410a HFC Refrigerants (Versus Fixed Vi Of Scroll)
- Electronic Temperature Controls
- Shell And Cooper Tubes Heat Exchanger
- Micro channel Aluminum Condenser
- 0°F To 65°F Glycol/Water Temperatures
- 50/60 Hz Available
- One Chiller Meets All Industrial Temperature Applications!
- -40°F To 0°F Options
- Belt Free, External Shaft Free Axial Fans
- Electronic Oil Pressure Sensor

Options

- Variable speed Frequency compressors
- EC Electronic Commutated Fan Motors
- Stainless Steel Brazed Plate Heat Exchanger
- Titanium Shell and Tube Heat Exchanger
- Stainless Steel pumps and Recirculating tank Kit

Tabla de capacidades a diferentes temperaturas de agua

*Solicitar por
fabricación especial

Modelo	Process Temperature		Medium Temperature		Medium-Low Temperature		Low Temperature	
	At 55f° (12.5c°)		At 45f° (7c°)		At 32°F (0c°)		At 0°F (-18c°)	
	Capacity Ton	Capacity Kw	Capacity Ton	Capacity Kw	Capacity Ton	Capacity Kw	Capacity Ton	Capacity Kw
ECCLASH0022	21.4	74.9	16.8	58.8	12	42	6.44	22.55
ECCLASH0026	25.2	88.2	20	70	14.54	50.86	8	28
ECCLASH0031	29.8	104.3	23.8	83.3	17.52	61.32	9.82	34.37
ECCLASH0036	34.4	120.4	27.8	97.3	20.52	71.82	11.54	40.74

Many Reasons to Choose The New Ultra Series



Semi-hermetic
Compressors



Electrical
components



Standard shell and Tube
Heat Exchanger



Aluminum
Microchannel
Condenser



Belt free, external
shaft free axial fans

Ecochillers Inc

7600 Burnet Rd St. 301
Austin TX. 78757
956 284 0237

Ecochillers Corporation S.A. de C.V.

Ramón Corona 645 B
Santa Anita, Tlaquepaque, Jalisco
(33) 3122 2227 / (55) 5351 2857

Physical Data

Table 1: ECCLASH128 thru 2476 physical data

Component		ULTRA COMPACT MODELS			
		ECCLASH0022	ECCLASH0026	ECCLASH0031	ECCLASH0036
Nominal tonnage*		21.4	25.2	29.8	34.4
REFRIGERANT (Lb)					
Refrigerant type		R-410A	R-410A	R-410A	R-410A
Holding charge		1	1	1	1
Operating charge	system #1	28.6	34.8	42.6	49.2
Dimensions (In)					
Length		93	93	93	93
Width		51.5	51.5	51.5	51.5
Height		67	67	67	67
Weight (Lb)					
Shipping		2013	2078	2100	2123
Operating		2114	2182	2205	2229
Compressors					
Type		Semi-Hermetic	Semi-Hermetic	Semi-Hermetic	Semi-Hermetic
Quantity		2	2	2	2
Cooling					
Nominal capacity*	System #1	21.4	25.2	29.8	34.4
Capacity Stages	System #1	2	2	2	2
Water system					
Design water flow (gpm)		50	60	72	84
water flow tolerance		+/- 10%	+/- 10%	+/- 10%	+/- 10%
Outdoor coil data					
Face area (sq. Ft)	System #1	40	40	44	44
Type of coil		Microchannel	Microchannel	Microchannel	Microchannel
Quantity of coils		1	1	2	2
Rows		1	1	1	1
Condenser fan data					
No. Fans		1	1	2	2
Diameter (In)		31	31	31	31
Type		Axial	Axial	Axial	Axial
Drive type		Direct	Direct	Direct	Direct
No. Speeds		1	1	1	1
Number of motors	System #1	1	1	2	2
Motor HP (ea.)		2	2	2	2
Rotation ***		CW	CW	CW	CW
RPM		1030	1030	1030	1030
Nominal CFM****	System #1	12840	15120	17880	20640

* capacity at 50°F LWT 60°F EWT 95°F ambient temperature

** standard connections Schedule 80 PVC union nut, as an option Treaded connections, Flanged connections and Vitaulic.

*** When viewing the top of the motor

**** CFM conditions at sea level

Ecochillers Inc
7600 Burnet Rd St. 301
Austin TX. 78757
956 284 0237

Ecochillers Corporation S.A. de C.V.
Ramón Corona 645 B
Santa Anita, Tlaquepaque, Jalisco
(33) 3122 2227 / (55) 5351 2857



Clearances

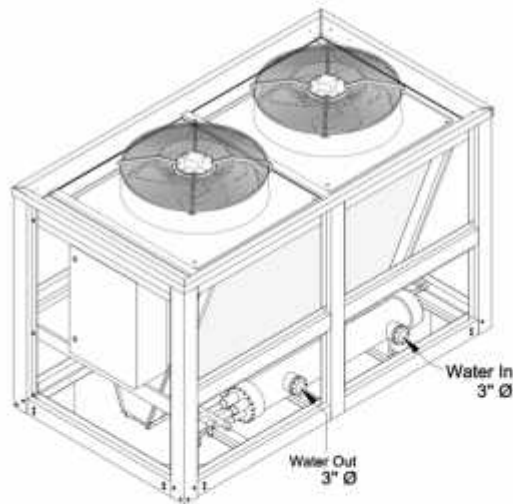
The unit must be installed with sufficient clearance for air to enter the condenser coil, for air discharge and for servicing access.

see table for clearance.

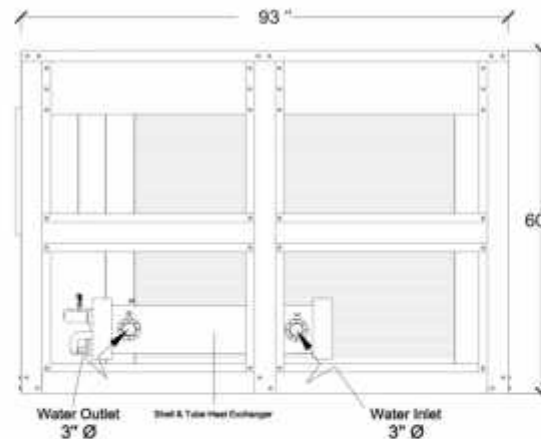
Minimum Clearance	
Clearance Description	Distance in inches
Overhead (Top)	120"
Front	36"
Rear	36"
Left Side	36"
Right Side	36"
Bottom	6"

PHYSICAL DATA

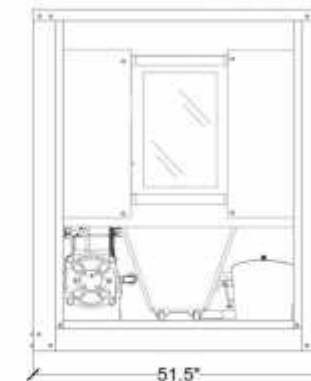
MODEL	T.R.	AVAILABLE POWER SUPPLY	Water Inlet / Outlet Ø
ECCLASH0022A25BRR4	21.4		2 1/2" to 3"
ECCLASH0026A25BRR4	25.2	208/230-3-60 380-3-50	2 1/2" to 3"
ECCLASH0031A25BRR4	29.8	460-3-60 575-3-60	3"
ECCLASH0036A25BRR4	34.4		3"



LEFT SIDE VIEW



FRONT SIDE VIEW



IMPORTANT:

this drawing is illustrative only, dimensions, weight and design can change without notice, for more information contact your sales representative.

PRODUCT DRAWING
AIR COOLED SEMIHERMETIC CHILLER UNIT
MODELS : ECCLASH0022 to ECCLASH0036
NOT FOR CONSTRUCTION

Project name:
Location:
Engineer:
Contactor:

Sold to:
Cust Purch Order:
Contract:

Date: May 2015
Rev.: 3.3
Form:
ENGDEP-SUM1-1014
Dwg.: S.G.R

Ecogreen

Ecochillers Inc
7600 Burnet Rd St. 301
Austin TX. 78757
956 284 0237

Ecochillers Corporation S.A. de C.V.
Ramón Corona 645 B
Santa Anita, Tlaquepaque, Jalisco
(33) 3122 2227 / (55) 5351 2857