

Air Cooled Semi-Hermetic Chiller

Ecogreen[®]
Ultra[®]Series



Superior Full-And Part-Load Performance

- 59.6 a 68.8 Ton
- HFC Refrigerant R-410-A
- Carlyle Semi-Hermetic Serviceable Compressor
- High Efficient Valve Design – Designed For Newer r410a HFC Refrigerants (Versus Fixed Vi Of Scroll)
- Electronic Temperature Controls
- Shell And Cooper Tubes Heat Exchanger
- Micro channel Aluminum Condenser
- 0°F To 65°F Glycol/Water Temperatures
- 50/60 Hz Available
- One Chiller Meets All Industrial Temperature Applications!
- -40°F To 0°F Options
- Belt Free, External Shaft Free Axial Fans
- Electronic Oil Sensor

Options

- Variable speed Frequency compressors
- EC Electronic Commutated Fan Motors
- Stainless Steel Brazed Plate Heat Exchanger
- Titanium Shell and Tube Heat Exchanger
- Stainless Steel pumps and Recirculating tank Kit

Tabla de capacidades a diferentes temperaturas de agua

*Solicitar por fabricación especial

| Model | Process Temperature At 55°F (12.5c°) | | Medium Temperature At 45f° (7c°) | | Medium-Low Temperature At 32°F (0c°) | | Low Temperature At 0°F (-18c°) | |
|-------------|---|-------------|-------------------------------------|-------------|---|-------------|-----------------------------------|-------------|
| | Capacity Ton | Capacity Kw | Capacity Ton | Capacity Kw | Capacity Ton | Capacity Kw | Capacity Ton | Capacity Kw |
| ECCLASH0068 | 59.6 | 208.6 | 47.6 | 166.6 | 33 | 115.5 | 13.92 | 48.72 |
| ECCLASH0072 | 68.8 | 240.8 | 55.2 | 193.2 | 38.68 | 135.38 | 16.64 | 58.24 |

Many Reasons to Choose The New Ultra Series



Carlyle

Semi-hermetic Compressors



ABB

Electrical components



Standard
Heat Exchanger

Standard shell and Tube Heat Exchanger



Alcoil

Aluminum Microchannel Air Cooled Condenser



rosenberg
FAN

Belt free, external shaft free axial fans

Ecochillers Inc.

7600 Burnet Rd St. 301
Austin TX. 78757
956 284 0237

Ecochillers Corporation S.A. de C.V.

Ramon Corona 645 B
Santa Anita, Tlaquepaque, Jalisco, 45580
(33) 3122 2227 / (55) 5351 2857

Physical Data

Table 1: ECCLASH128 thru 2476 physical data

| Component | | ULTRA COMPACT MODELS | |
|---------------------------|-----------|----------------------|---------------|
| | | ECCLASH0068 | ECCLASH0072 |
| Nominal tonnage* | | 59.6 | 68.8 |
| REFRIGERANT (Lb) | | | |
| Refrigerant type | | R-410A | R-410A |
| Holding charge | | 1 | 1 |
| Operating charge | system #1 | 55.4 | 63.6 |
| | system #2 | 14.3 | 17.4 |
| Dimintions (In) | | | |
| Length | | 93 | 93 |
| Width | | 103 | 103 |
| Heigth | | 67 | 67 |
| Weight (Lb) | | | |
| Shipping | | 3921 | 4129 |
| Operating | | 4117 | 4335 |
| Compressors | | | |
| Type | | Semi-Hermetic | Semi-Hermetic |
| Quantity | | 4 | 4 |
| Cooling | | | |
| Nominal capacity* | System #1 | 51.6 | 51.6 |
| | System #2 | 10.7 | 17.2 |
| Capacity Stages | System #1 | 3 | 3 |
| | System #2 | 1 | 1 |
| Water system | | | |
| Design water flow (gpm) | | 143 | 165 |
| water flow tolerance | | +/- 10% | +/- 10% |
| Outdoor coil data | | | |
| Face area (sq. Ft) | System #1 | 44 | 44 |
| | System #2 | 22 | 22 |
| Type of coil | | Microchannel | Microchannel |
| Quantity of coils | | 3 | 3 |
| Rows | | 1 | 1 |
| Condenser fan data | | | |
| No. Fans | | 3 | 3 |
| Diameter (In) | | 31 | 31 |
| Type | | Axial | Axial |
| Drive type | | Direct | Direct |
| No. Speeds | | 1 | 1 |
| Number of motors | System #1 | 2 | 2 |
| | System #2 | 1 | 1 |
| Motor HP (ea.) | | 2 | 2 |
| Rotation *** | | CW | CW |
| RPM | | 1030 | 1030 |
| Nominal CFM**** | System #1 | 30960 | 30960 |
| | System #2 | 6420 | 10320 |

* capacity at 55°F LWT 65°F EWT 95°F ambient temperature

** standard conections Schedule 80 PVC union nut, as an option Treaded conections, Flanged conections and Vitaulic.

Ecochillers Inc.
7600 Burnet Rd St. 301
Austin TX. 78757
956 284 0237

Ecochillers Corporation S.A. de C.V.
Ramon Corona 645 B
Santa Anita, Tlaquepaque, Jalisco, 45580
(33) 3122 2227 / (55) 5351 2857

*** When viewing the top of the motor
**** CFM conditions at sea level

Características Principales:

- **Compresores Semi-herméticos Carlyle** por su diseño Desarmable y Reparable en Campo
- Filtro de succión de malla de acero inoxidable protege al compresor de partículas o sólidos en el retorno.
- Sensor de presión de aceite electrónico
- **Controlador de estado Solido programable** Carel de 2 y 4 etapas. Display Control de temperatura.
- **Intercambiador de Calor de Casco y Tubo** de Alta Eficiencia con Registro UL, ETL, ASME.
- Temperatura de operación desde -18oC a + 25oC estándar
- **Moto Ventiladores Axiales Alemanes** sin Flecha las aspas y el rotor giran alrededor del motor.
- **Condensador de Microchannel Aluminio 100%** con cabezal Mufler que absorbe pulsaciones de descarga y recibidor de líquido integrado, **espesor de paredes 20% más grueso** al standard.
- Mirilla de líquido.
- Mirilla de nivel de aceite en compresores
- **Válvulas de servicio en Cada Compresor** aíslan 100% del sistema al compresor y así darle servicio en Campo
- Válvulas de servicio en filtro deshidratador de líquido aíslan el filtro para servicio.
- Filtro deshidratador de líquido recargable.
- Presostatos Switch de protección de alta y baja presión regulables
- **Control de Motores ventiladores en base a demanda.**
- Cuenta con entradas eléctricas duales – inferior y lateral.
- Equipos tipo Process cuenta con tuberías Hidráulicas o de agua en pvc cedula 80, cuenta con tuercas unión para tanque y bomba.
- Diseñado para Exteriores en **estructura principal de Acero galvanizado calibre 12**
- Pintura electrostática horneada de alta resistencia UV
- Descarga de aire vertical.
- Incluye carga completa de refrigerante.
- **Servicio de arranque está incluido LAB su planta, incluye hasta 1 días sin costo valido únicamente en Guadalajara, Monterrey y Mexico D.F., de lo contrario tendrá costo viáticos.**

Opciones disponibles:

- Chillers enfriados por Agua
- **Compresor con descargador Inteligente SMART Unloader**, capaz de ajustar la carga en posiciones infinitas del 100 al 67%.
- **Válvula PWM (Pulse With Modulating) exclusiva Válvula de Modulación** de Capacidad de Succión en posiciones infinitas del 20 al 100%.
- Compresores con Variador de Velocidad en posiciones infinitas stepless del 20 al 100%, VFD variable Frequency Drive
- **Motores Ventiladores EC Electronic Commutated** ahorran hasta un 50% de energía
- Intercambiador de Calor Tipo Placas Stainless Steel Alta Eficiencia con Registro UL, ETL, ASME.
- Microprocesador con pantalla touch Pad, capacidad de Interface con ambiente ethernet.
- **Freecooling, enfriamiento del agua de proceso por medio del aire ambiente**, ahorros de 40% en invierno climas de 5°C o menores
- **Cristal Clear Cover, Exclusivo Gabinete Eléctrico Clasificación IP 67**, International protector 67 puede lavarse chorro de agua y resiste Inmersión completa en Agua, visible sin necesidad de abrir para Monitoreo

Ecochillers Inc.

7600 Burnet Rd St. 301
Austin TX. 78757
956 284 0237

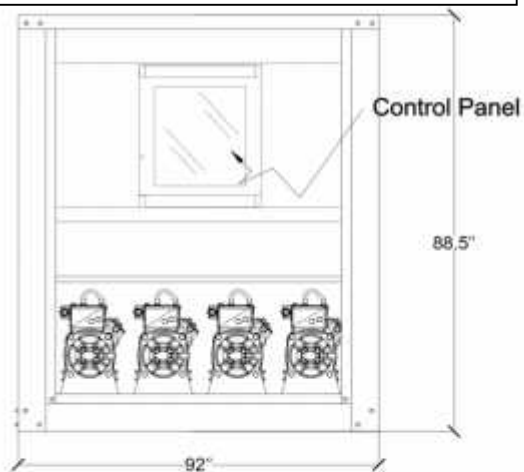
Ecochillers Corporation S.A. de C.V.

Ramon Corona 645 B
Santa Anita, Tlaquepaque, Jalisco, 45580
(33) 3122 2227 / (55) 5351 2857

OPCION CON
PLATAFORMA P-1



Las fotografías e imágenes son de carácter ilustrativo



IMPORTANT :
This drawing is illustrative only , dimensions , weight and design can change without notice, for more information contact your sales representative.

Clearances

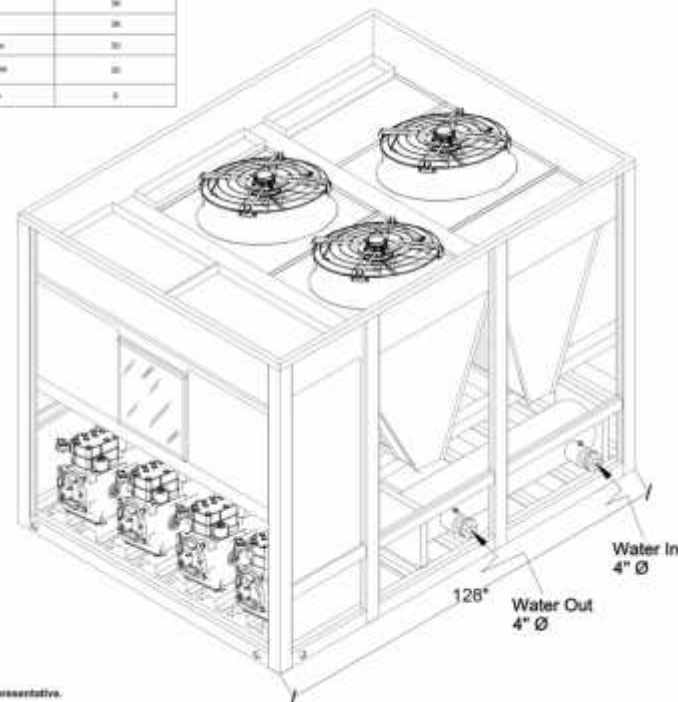
The unit must be installed with sufficient clearance for air to enter the condenser coil, for air discharge and for servicing access.

see table for clearance:

| Minimum Clearance | |
|-----------------------|--------------------|
| Clearance Description | Distance in Inches |
| Overhead Clearance | 120 |
| Front | 36 |
| Back | 36 |
| Left Side | 36 |
| Right Side | 36 |
| Bottom | 0 |

PHYSICAL DATA

| MODEL | T.R. | AVAILABLE POWER SUPPLY | Water Inlet / Outlet Ø |
|--------------------|------|--------------------------|------------------------|
| ECCLASH0068A25BRRA | 59.8 | 208-230-3-60 380-3-50 | 4" |
| ECCLASH0072A25BRRA | 68.8 | 460-3-60 575-3-60 | 4" |



PRODUCT DRAWING
AIR COOLED SEMIHERMETIC CHILLER UNIT
MODELS : ECCLASH0068 to ECCLASH0072
NOT FOR CONSTRUCTION

Project name:
Location:
Engineer:
Contractor:

Sold to:
Cust Purch Order:
Contract:

Date: October 2014
Rev.: 1.0
Form.:
ENGDEP-SUM1-1014
Dwg.: S.G.R

Ecogreen

Ecochillers Inc.
7600 Burnet Rd St. 301
Austin TX. 78757
956 284 0237

Ecochillers Corporation S.A. de C.V.
Ramon Corona 645 B
Santa Anita, Tlaquepaque, Jalisco, 45580
(33) 3122 2227 / (55) 5351 2857

OPCION CON
PLATAFORMA P-2



Las fotografías e imágenes son de carácter ilustrativo

Clearances

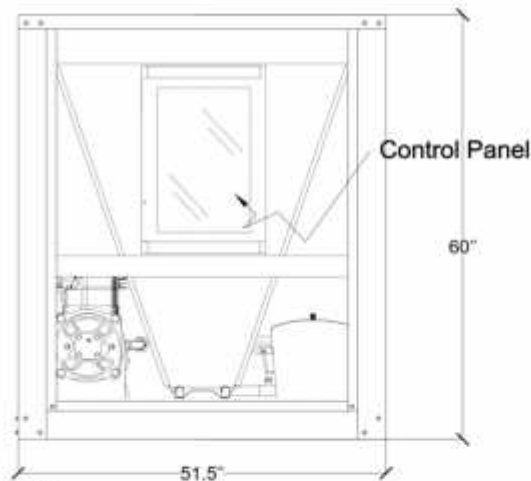
The unit must be installed with sufficient clearance for air to enter the condenser coil, for air discharge and for servicing access.

see table for clearance.

| Minimum Clearance | |
|-----------------------|--------------------|
| Clearance Description | Distance in Inches |
| Overhead (Top) | 120 |
| Front | 36 |
| Rear | 36 |
| Left Side | 36 |
| Right Side | 36 |
| Bottom | 0 |

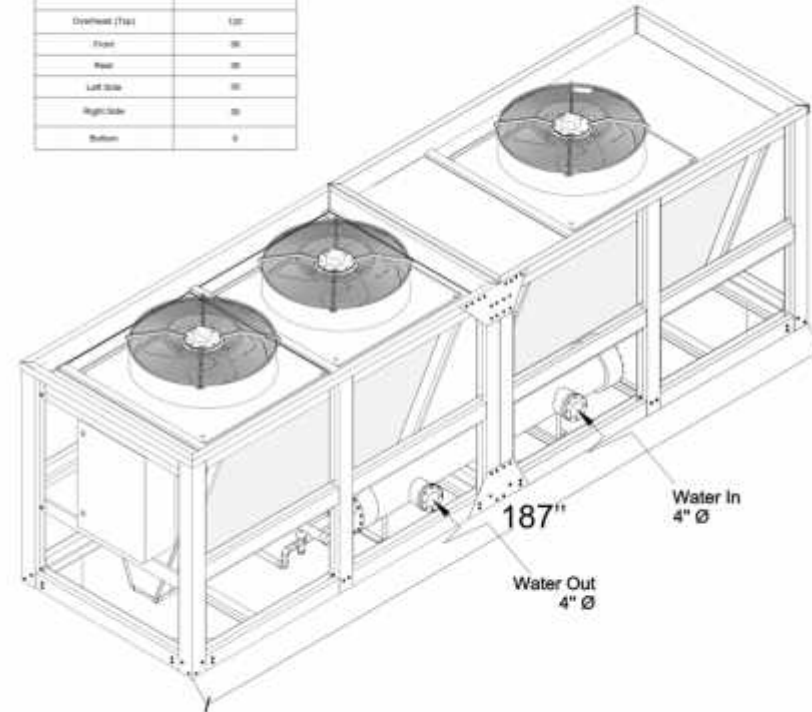
PHYSICAL DATA

| MODEL | T.R. | AVAILABLE POWER SUPPLY | Water Inlet / Outlet Ø |
|--------------------|------|--------------------------|------------------------|
| ECCLASH0068A25BRR4 | 50.8 | 208-230-3-60 300-3-50 | 4" |
| ECCLASH0072A25BRR4 | 68.8 | 460-3-60 575-3-60 | 4" |



IMPORTANT:

This drawing is illustrative only, dimensions, weight and design can change without notice, for more information contact your sales representative.



PRODUCT DRAWING
AIR COOLED SEMIHERMETIC CHILLER UNIT
MODELS : ECCLASH0068 to ECCLASH0072
NOT FOR CONSTRUCTION

Project name:
Location:
Engineer:
Contractor:

Sold to:
Cust Purch Order:
Contract:

Date: October 2014
Rev.: 1.0
Form:
ENGDEP-SUM1-1014
Dwg.: S.G.R

Ecogreen

Ecochillers Inc.
7600 Burnet Rd St. 301
Austin TX. 78757
956 284 0237

Ecochillers Corporation S.A. de C.V.
Ramon Corona 645 B
Santa Anita, Tlaquepaque, Jalisco, 45580
(33) 3122 2227 / (55) 5351 2857